



BOOM SPECIFICATIONS

Vertical reach	19.1 M	(62' 8")
Horizontal reach	15.8 M	(51' 10")
Reach from front of truck	12.9 M	(42' 4")
Unfolding height	5.15 M	(16' 11")
Section articulation	92° / 190° / 265°	
Rotation	370°	
Delivery line	125mm	(5")
Proportional boom	Yes	
End hose length	3 M	(9' 10")
Outrigger spread-front	2.93 M	(9' 7")
Outrigger spread-rear	2.6 M	(8' 6")
Max. outrigger weight	9,000 kg	(19842 lbs)

20ZHP - OPTIONAL

Maximum output	100 m ³ /h	(130 yd ³ /h)
Concrete cylinder	Ø200 x 1800mm (8" x 71")	
Stroke per minute	29	
Concrete pressure	171 bar	(2480 psi)
Hydraulic pump	Rexroth A20VLO190	

PUMP SPECIFICATIONS

Maximum output	120 m ³ /h	(157 yd ³ /h)
Concrete cylinder	Ø200 x 1800mm (8" x 71")	
Stroke per minute	34	
Concrete pressure	70bar	(1015 psi)
Hopper capacity	0.6 m ³	(21 ft ³)
S-tube	Ø200 x Ø180 (8" x 7")	
Hydraulic pump	Rexroth A11VLO190	
Cycling system	Hydraulic with manual overrides	
Max aggregate size	40 mm	(1 1/2")
Water Tank Volume	450 L	(118.9 Gal)

* Maximum theoretical values listed.

*Dimension will vary with different truck makes, models and specifications.

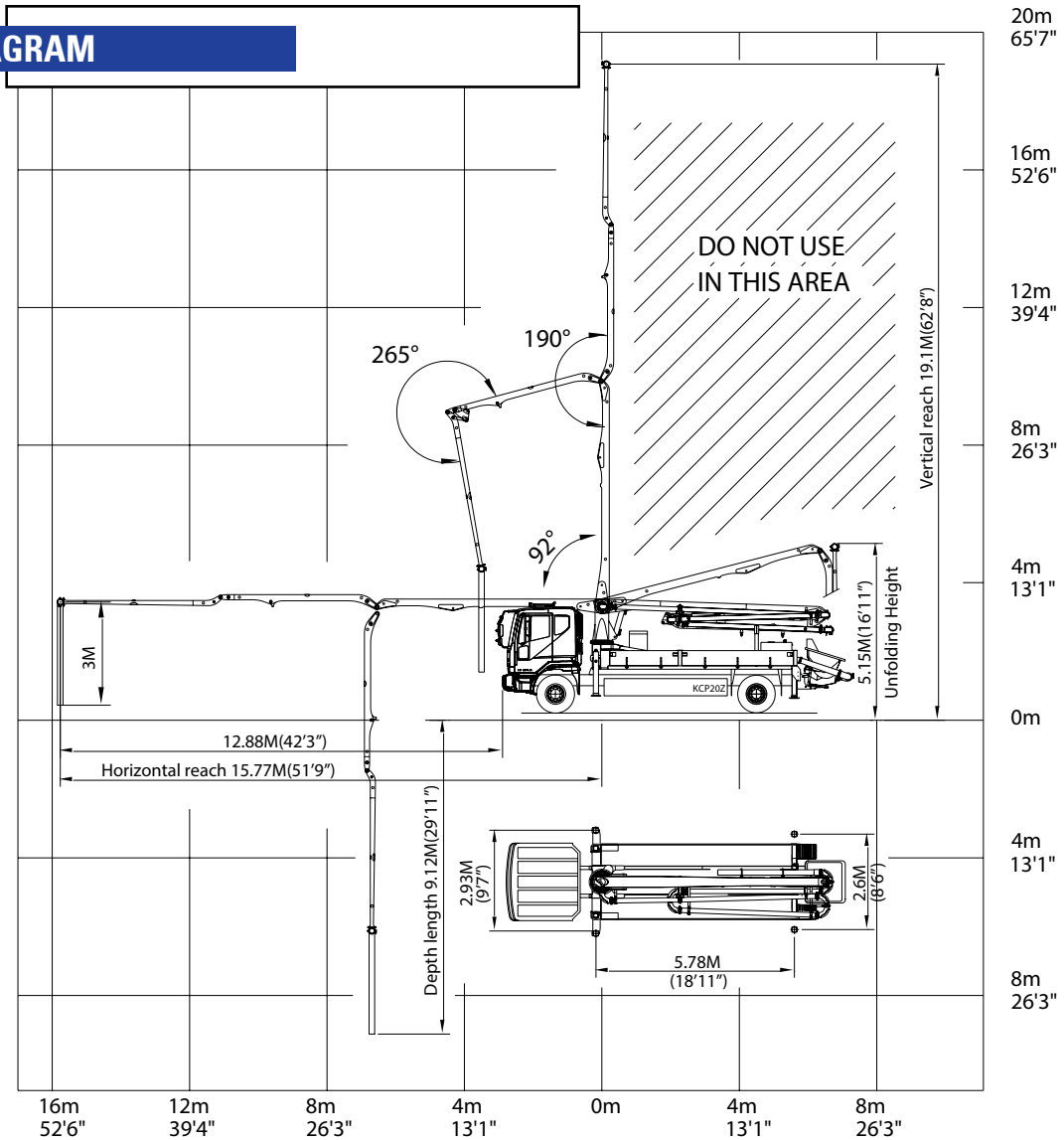
*Right to make technical amendments reserved.

TRUCK MOUNTED SPECIFICATIONS

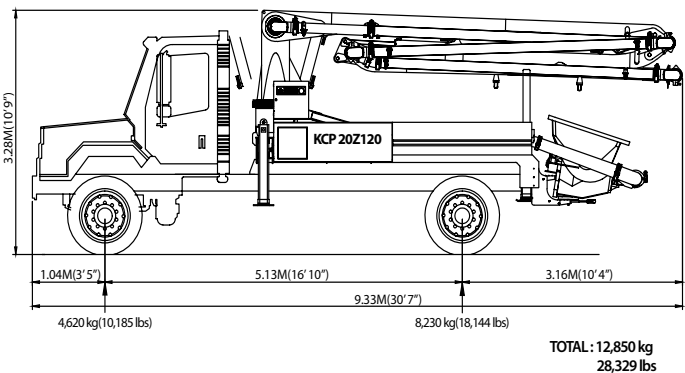
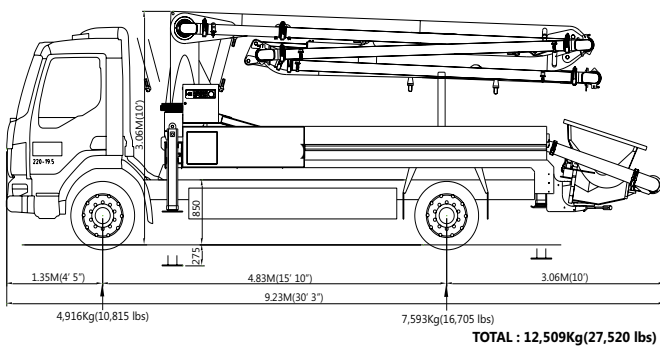
Available: MR MACK, GRANITE MACK, PETERBILT, INTERNATIONAL, FREIGHTLINER.

Simply the Best.

WORKING DIAGRAM



WEIGHT DIAGRAMS



*Photos and drawings are for illustrative purpose only.
 *Dimension will vary with different truck makers, models and specifications.
 *Right to make technical amendments reserved.