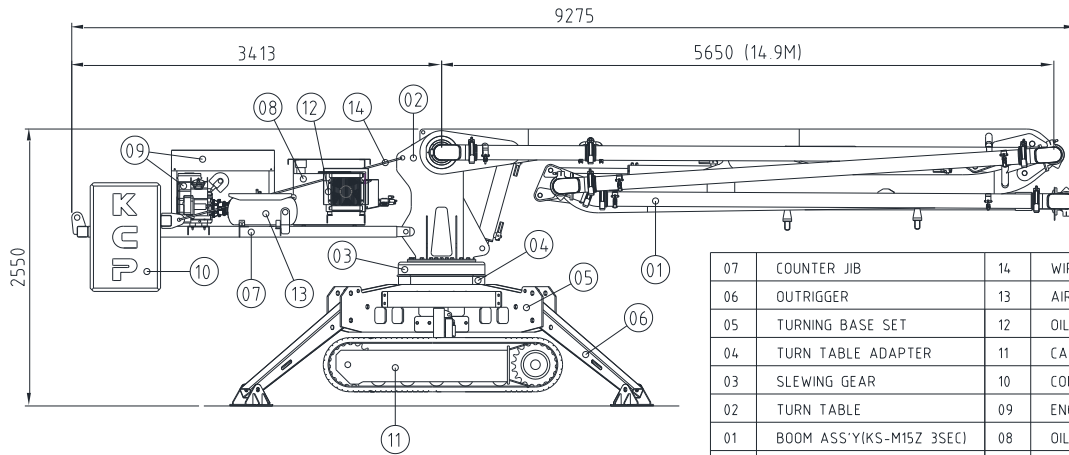
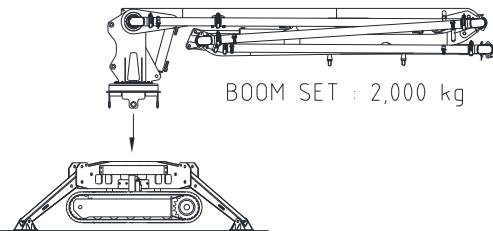


KS-M15Z

Spider Concrete System _ Layout



07	COUNTER JIB	14	WIRE
06	OUTRIGGER	13	AIR COMPRESSOR
05	TURNING BASE SET	12	OIL COOLER
04	TURN TABLE ADAPTER	11	CATERPILLAR
03	SLEWING GEAR	10	CONCRETE WEIGHT (1.7T)
02	TURN TABLE	09	ENGINE, FUEL TANK
01	BOOM ASS'Y(KS-M15Z 3SEC)	08	OIL TANK
NO	ITEM	NO	ITEM



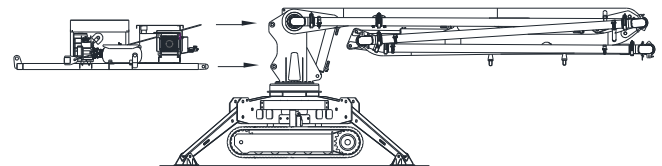
BOOM SET : 2,000 kg

TURNING BASE SET : 3,070 kg

①

②

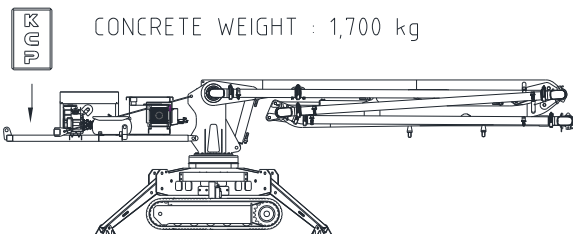
COUNTER JIB SET : 600 kg



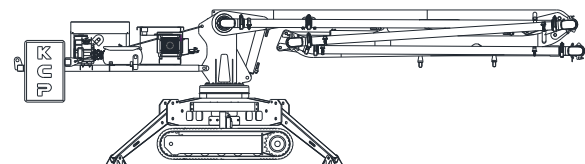
③

④

CONCRETE WEIGHT : 1,700 kg



TOTAL WEIGHT : 7,370 kg



KS-M15Z

Spider Concrete System Working _ Working diagram

